

# WIRE TO P.C.B. TYPE TERMINAL BLOCK

ETB 53 SERIES (MOUNT TYPE/BARRIER TYPE)

PITCH=10mm (0.394inch)

UL E133988(R) LR100420

## FEATURES

- Can be supplied in any number of positions
- Special wire protector design to ensure reliable wire clamping
- UL 94V-0 grade fire retardant engineering plastic used for the housing
- Be capable of clamping a wide range of wire diameters
- Wide choice of pitch & terminal

## SPECIFICATIONS

- Pitch: 10mm(0.394inch)
- Wire range: 14AWG to 22AWG
- Rated: 20Amp, 300VAC
- Housing material:  
Thermoplastic (UL 94V-0) Black
- Terminals: Tin plated over Brass
- Screws: Nickel plated over Steel
- Dielectric strength: 2000VAC (Min.)
- Insulation resistance: 1000M $\Omega$ , 500VDC



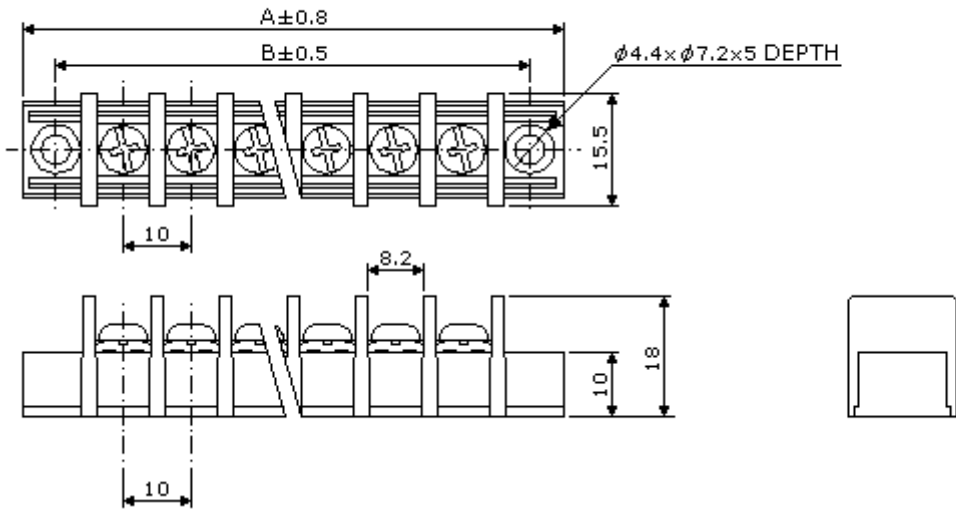
## PART NUMBERING SYSTEM

ETB	53	01	1	02	XX	X	
							+--- Z:Sn Plated (lead free)
							+--- Special number
							+--- Number of pole
							+--- Housing type
							1:Mount type
							2:Barrier type
							+--- Terminal type
							+--- Series
							+--- Model

## DRAWING (MOUNT TYPE)

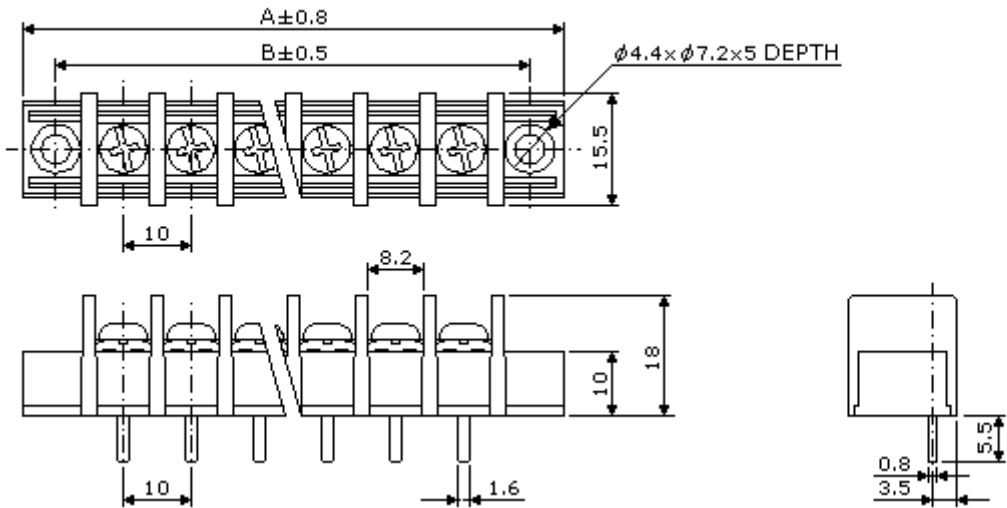
DIMENSIONS UNIT:mm(inch)

ETB53001\*\* SERIES



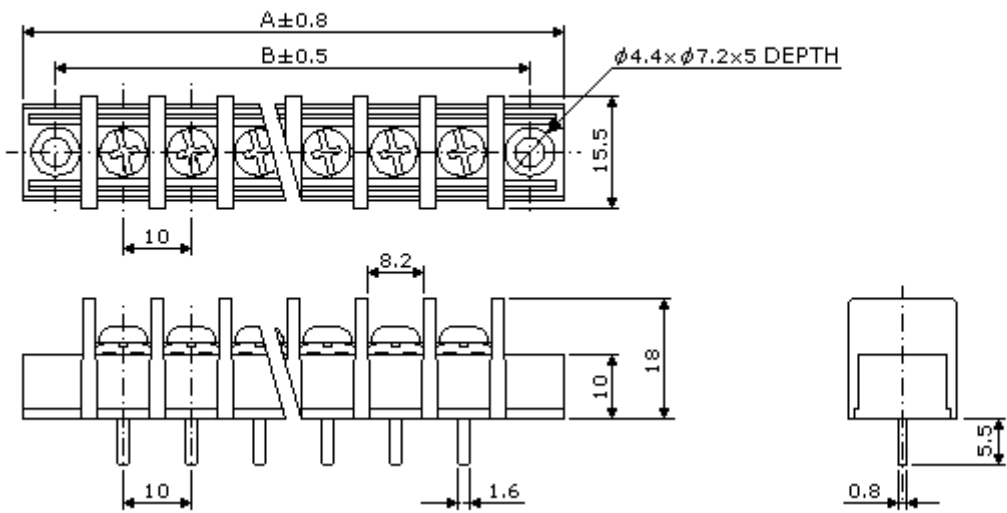
DIMENSIONS UNIT:mm(inch)

ETB53011\*\* SERIES



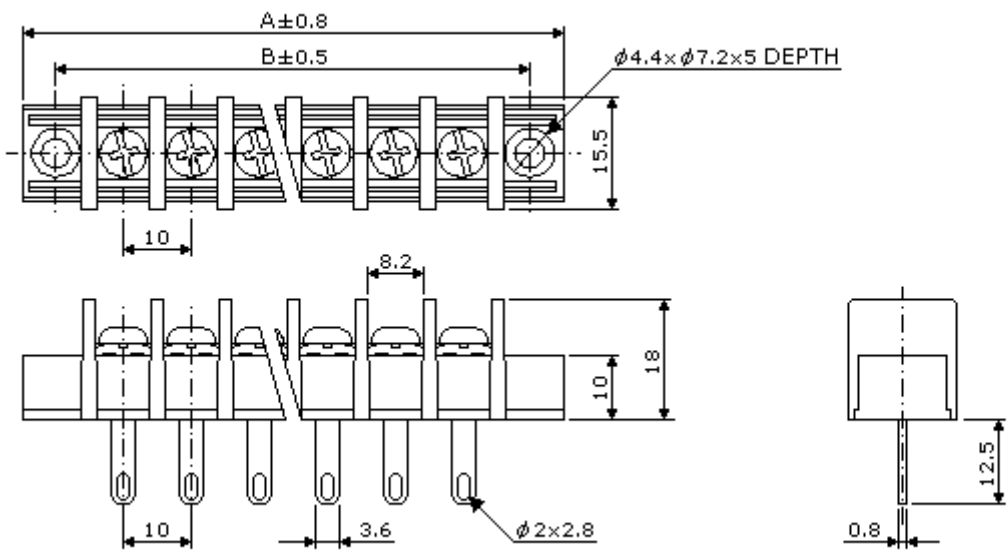
DIMENSIONS UNIT:mm(inch)

ETB53021\*\* SERIES



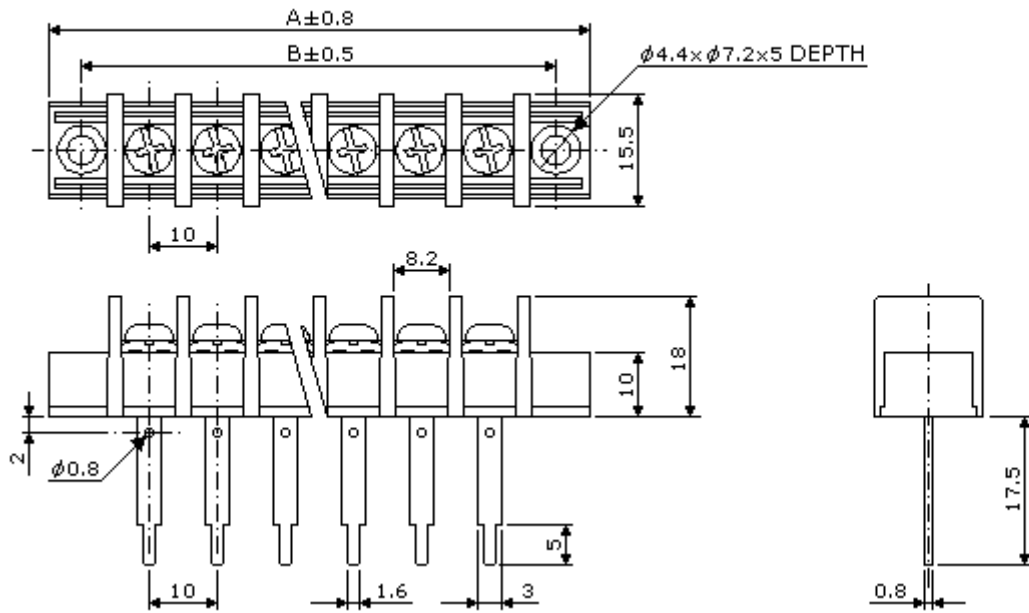
DIMENSIONS UNIT:mm(inch)

ETB53031\*\* SERIES



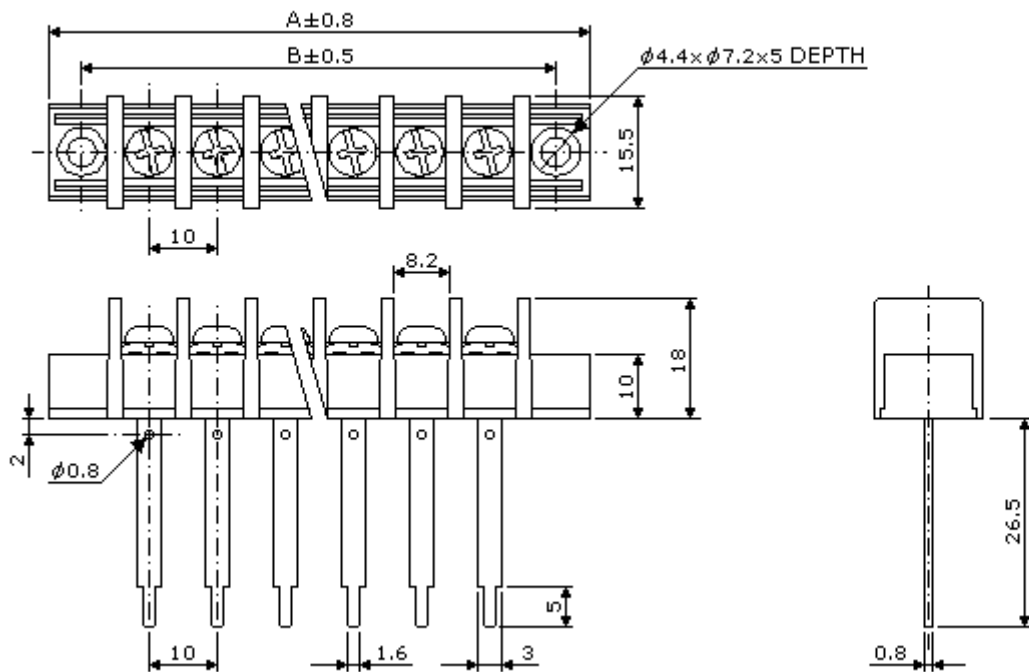
DIMENSIONS UNIT:mm(inch)

ETB53051\*\* SERIES



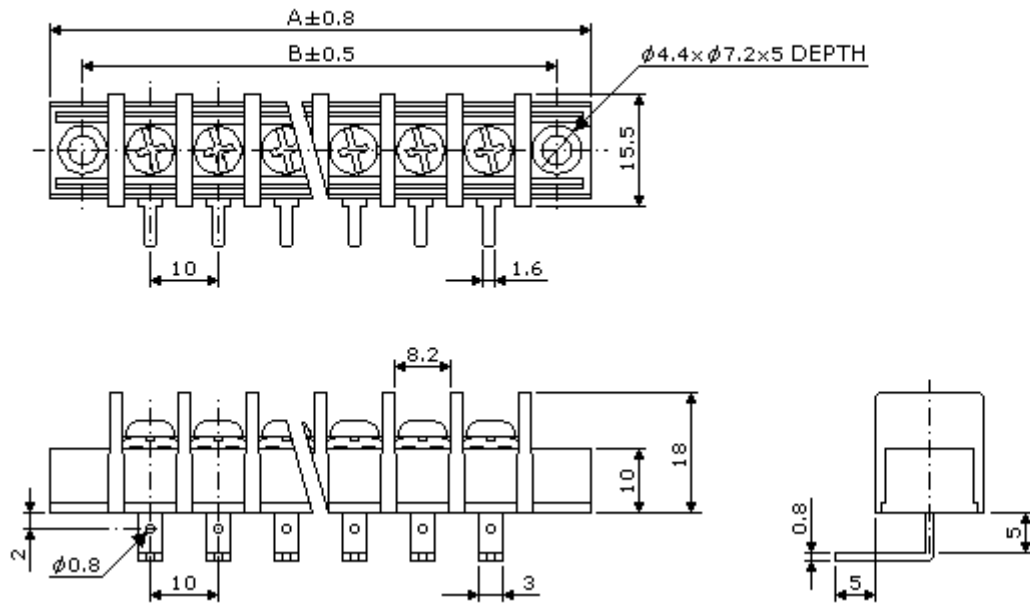
DIMENSIONS UNIT:mm(inch)

ETB53061\*\* SERIES



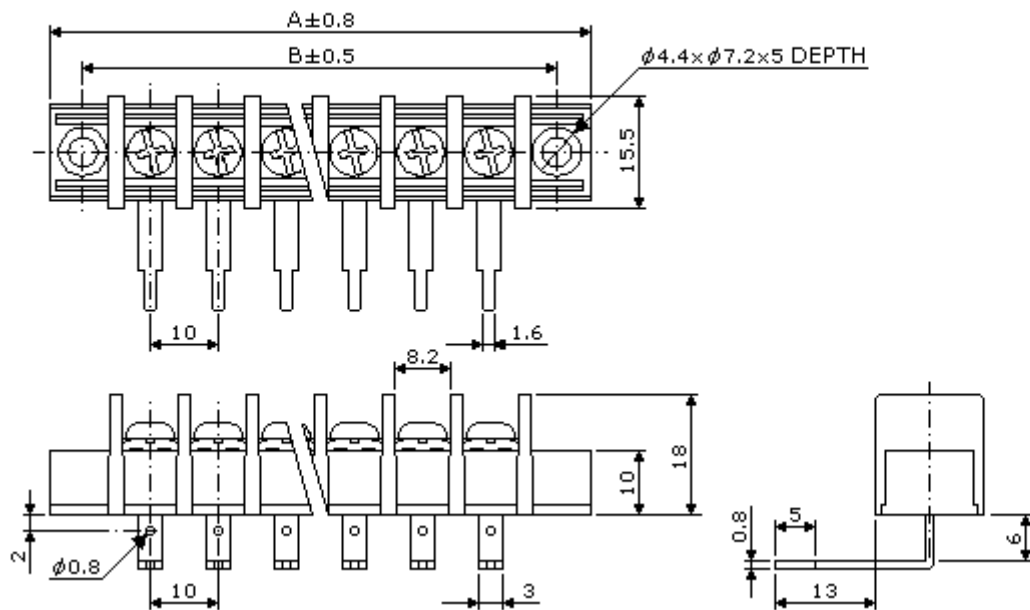
DIMENSIONS UNIT:mm(inch)

ETB53081\*\* SERIES



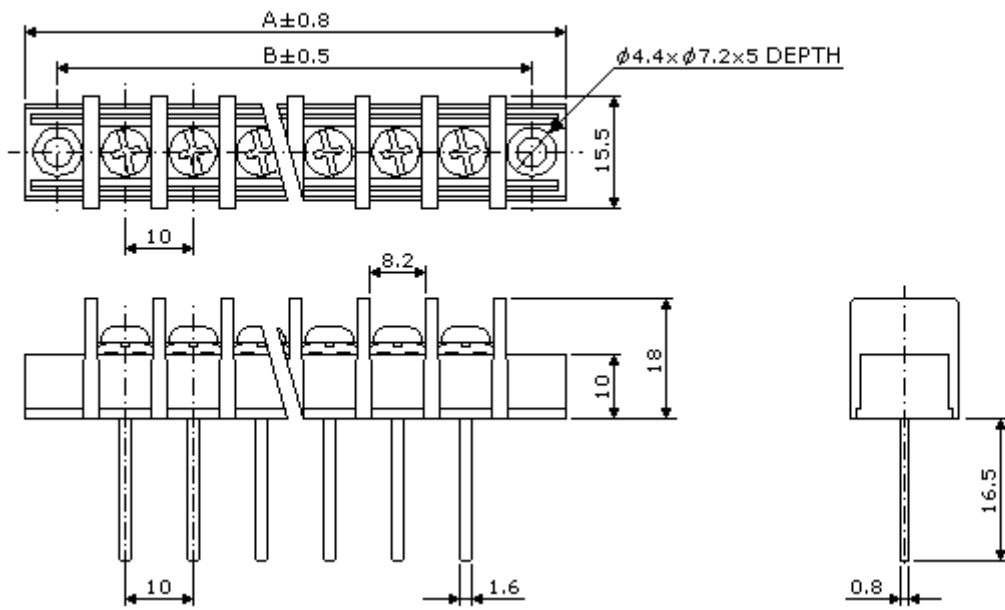
DIMENSIONS UNIT:mm(inch)

ETB53091\*\* SERIES



DIMENSIONS UNIT:mm(inch)

ETB53101\*\* SERIES



mm to inch

mm	0.8	1.6	2	2.8	3	3.5	3.6	4.4	5	5.5	6
inch	0.031	0.063	0.079	0.110	0.118	0.138	0.142	0.173	0.197	0.217	0.236
mm	7.2	8.2	10	12.5	13	15.5	16.5	17.5	18	26.5	
inch	0.283	0.323	0.394	0.492	0.512	0.610	0.650	0.689	0.709	1.043	

**DIMENSIONS OF MOUNT TYPE**

\*\*NUMBER OF POLE 02~30.

POLE	2	3	4	5	6	7	8	9	10	11	12
A±0.8	40 (1.575)	50 (1.969)	60 (2.362)	70 (2.756)	80 (3.150)	90 (3.543)	100 (3.937)	110 (4.331)	120 (4.724)	130 (5.118)	140 (5.512)
B±0.5	30 (1.181)	40 (1.575)	50 (1.969)	60 (2.362)	70 (2.756)	80 (3.150)	90 (3.543)	100 (3.937)	110 (4.331)	120 (4.724)	130 (5.118)
POLE	13	14	15	16	17	18	19	20	21	22	23
A±0.8	150 (5.906)	160 (6.299)	170 (6.693)	180 (7.087)	190 (7.480)	200 (7.874)	210 (8.268)	220 (8.661)	230 (9.055)	240 (9.449)	250 (9.843)
B±0.5	140 (5.512)	150 (5.906)	160 (6.299)	170 (6.693)	180 (7.087)	190 (7.480)	200 (7.874)	210 (8.268)	220 (8.661)	230 (9.055)	240 (9.449)
POLE	24	25	26	27	28	29	30				
A±0.8	260 (10.236)	270 (10.630)	280 (11.024)	290 (11.417)	300 (11.811)	310 (12.205)	320 (12.598)				
B±0.5	250 (9.843)	260 (10.236)	270 (10.630)	280 (11.024)	290 (11.417)	300 (11.811)	310 (12.205)				

**DIMENSIONS OF BARRIER TYPE**

\*\*NUMBER OF POLE 02~32.

POLE	2	3	4	5	6	7	8	9	10	11	12
A±0.8	22 (0.866)	32 (1.260)	42 (1.654)	52 (2.047)	62 (2.441)	72 (2.835)	82 (3.228)	92 (3.622)	102 (4.016)	112 (4.409)	122 (4.803)
B±0.5	10 (0.394)	20 (0.787)	30 (1.181)	40 (1.575)	50 (1.969)	60 (2.362)	70 (2.756)	80 (3.150)	90 (3.543)	100 (3.937)	110 (4.331)
POLE	13	14	15	16	17	18	19	20	21	22	23
A±0.8	132 (5.197)	142 (5.591)	152 (5.984)	162 (6.378)	172 (6.772)	182 (7.165)	192 (7.559)	202 (7.953)	212 (8.346)	222 (8.740)	232 (9.134)
B±0.5	120 (4.724)	130 (5.118)	140 (5.512)	150 (5.906)	160 (6.299)	170 (6.693)	180 (7.087)	190 (7.480)	200 (7.874)	210 (8.268)	220 (8.661)
POLE	24	25	26	27	28	29	30	31	32		
A±0.8	242 (9.528)	252 (9.921)	262 (10.315)	272 (10.709)	282 (11.102)	292 (11.496)	302 (11.890)	312 (12.283)	322 (12.677)		
B±0.5	230 (9.055)	240 (9.449)	250 (9.843)	260 (10.236)	270 (10.630)	280 (11.024)	290 (11.417)	300 (11.811)	310 (12.205)		